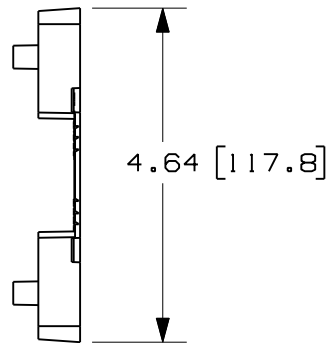
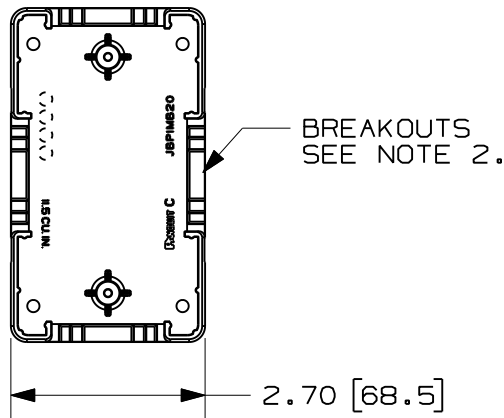
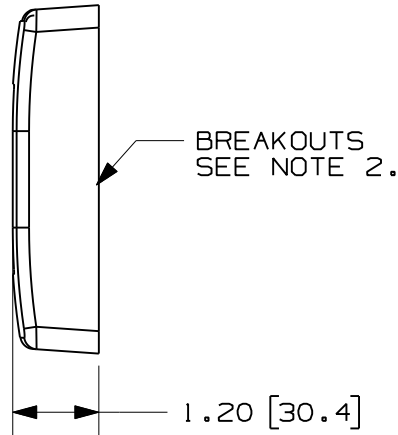
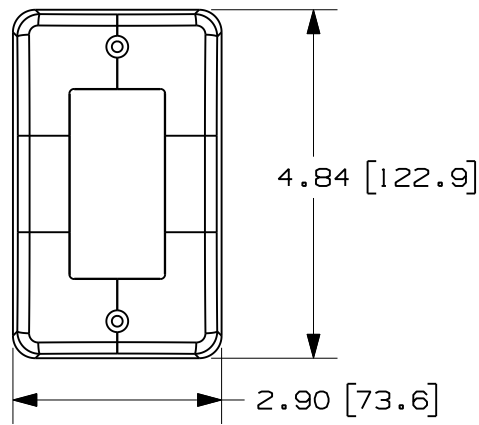
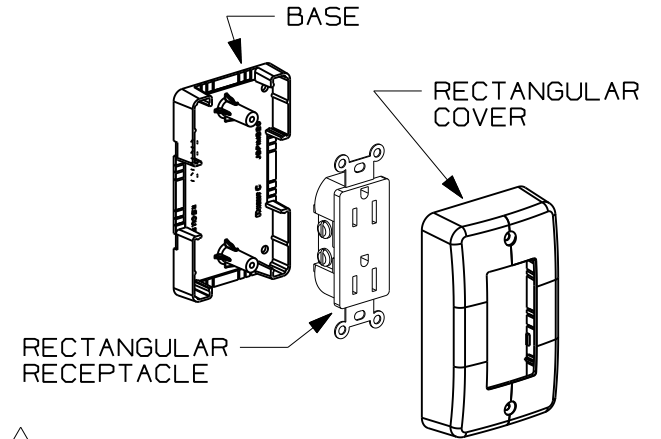


THIS COPY IS PROVIDED ON A RESTRICTED BASIS AND IS NOT TO BE USED IN ANY WAY DETRIMENTAL TO THE INTERESTS OF PANDUIT CORP.



PANDUIT PART NUMBER	WEIGHT	VOLUME CU. IN./CC
JBP1MR20	0.33 LB/PC (150.5 g/PC)	11.5 (189)

- NOTES:
1. SEE CURRENT CATALOG FOR ADDITIONAL PART SUFFIXES TO INDICATE COLOR AND OR PACKAGE QUANTITY.
 2. BREAKOUTS ON ALL FOUR SIDES IN COVER AND BASE PARTS TO ACCOMODATE PAN-WAY LDS AND LDPH RACEWAYS.
 3. COVER IS EXTENDED OUT AND DOWN AROUND SIDES OF BASE WHEN ASSEMBLED.
 4. DIMENSIONS IN PARENTHESES ARE IN METRIC.



CAD FILENAME/LAYERS D36642BV_DC_JBP1MR/01B

PANDUIT CORP TINLEY PARK, ILLINOIS
PAN-WAY MINI - ELECTRICAL RECEPTACLE BOX (JBP1MR20)
 CUSTOMER DRAWING

UNLESS OTHERWISE SPECIFIED, DIMENSIONAL TOLERANCES ARE:
 (.X) ± (.XXX) ±
 (.XX) ± .03 [.8] ANGLES ±

UNLESS OTHERWISE SPECIFIED, ALL DIMENSIONS ARE GIVEN IN INCHES. THIRD ANGLE PROJECTION

REV	DATE	BY	CHK	DESCRIPTION	ECN	CHK	CUST	SUP
2	12.10.09	BDK	RMHI	B. REVISED AND REDRAWN	36642-06	RMHI	RTF I	
1	07-15-99	DW	JAWA	A. CORRECTED TITLE NAME.	36642-06	HIW	HIW	
R	12-08-98	DW	JAWA	RELEASED TO PRODUCTION.	36642-06	HIW	HIW	

DRAWN BY	DW	MAT'L/COLOR:	PVC	SCALE	NONE
DATE	12-08-98			DRAWING NO.	36642-06
CK'D	JAWA			DWG SIZE	A